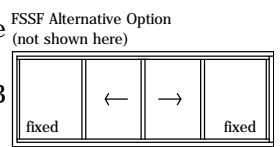
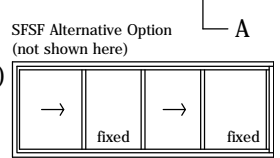
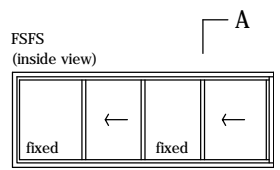
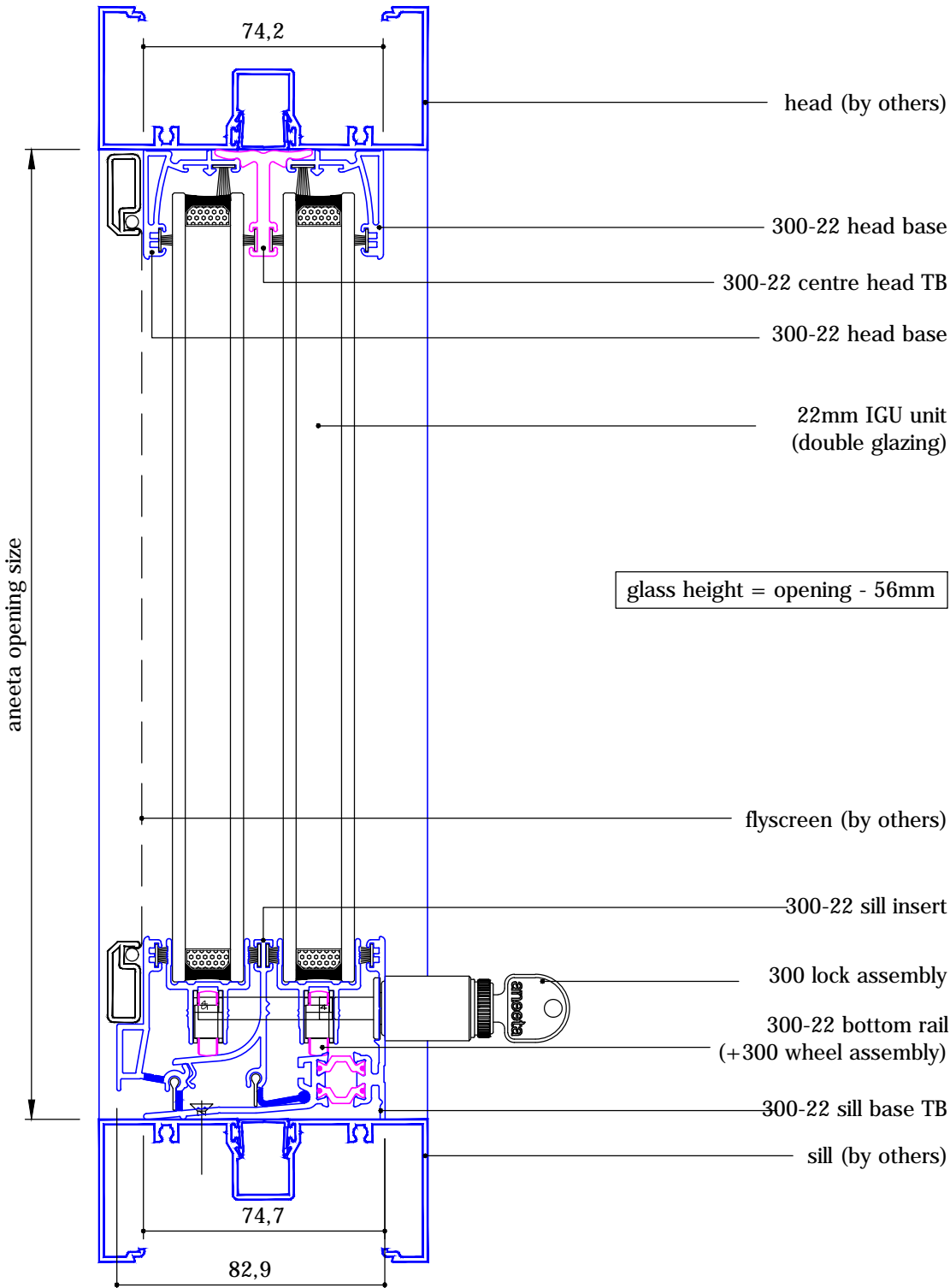


4 pane 22mm horizontal slider 300 series in aluminium frames (thermally broken / double glazed), 2 panes fixed vertical section A-A



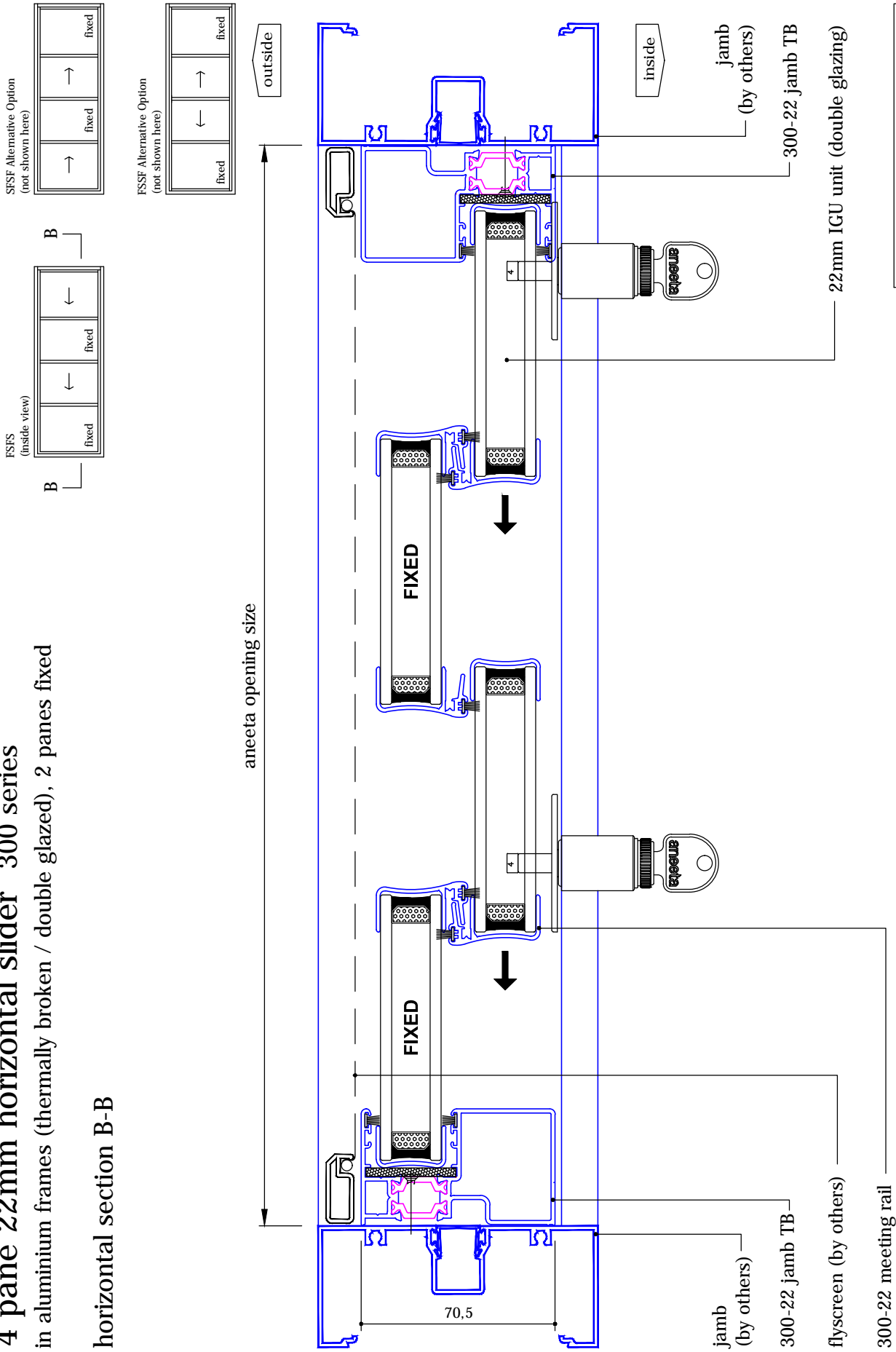
glass height = opening - 56mm

aneeta insert is shown here in 100mm commercial framing but it suits a variety of residential and commercial frame types

outside inside

4 pane 22mm horizontal slider 300 series in aluminium frames (thermally broken / double glazed), 2 panes fixed

horizontal section B-B



aneeta insert is shown here in 100mm commercial framing but it suits a variety of residential and commercial frame types

$$\text{glass width} = (\text{opening} - 8\text{mm}) / 4$$